

+ SBT

2-WAY HIGH PRESSURE BALL VALVES



CARBON STEEL

- Type: ball valve SBT ANSI B16.5 
- Body: forging
- Material: A105/F316
- Ball seats: from DN13 up to DN589
- O-Rings: NBR, FKM, EPDM, MVQ
- Operating pressure: 20 Bar - 50 Bar - 100 Bar
150 Bar - 250 Bar - 420 Bar
- Antistatic device
- Fire safe BS 6755

SBT ANSI600 2" DN50 FB A105 F316 RPTFE NBR RF

Type and way of valve	Valves dimension of pressure (lbs)	Inch	Nominal dimension	Bore	Body material	Stem material	Ball seat material	Adapter and stem seal material	Flanged
SBT	ANSI2500	from 1/2 up to 24	from DN 13 up to DN 589	FB	A105	A105	RPTFE	NBR	RF
Split body	ANSI1500			full bore	LF2	LF2	PEEK	FKM	RTJ
trunnion	ANSI900			RB		F316	NYLON	EPDM	BW
bolted body	ANSI600			reduce bore		F51	DEVLON	MVQ	FF
	ANSI300					F304			
	ANSI150						MET-TO-MET		

STAINLESS STEEL

- Type: ball valve SBT ANSI B16.5 
- Body: forging
- Material: F316/F51
- Ball seats: from DN13 up to DN589
- O-Rings: NBR, FKM, EPDM, MVQ
- Operating pressure: 20 Bar - 50 Bar - 100 Bar
150 Bar - 250 Bar - 420 Bar
- Antistatic device
- Fire safe BS 6755

SBT ANSI600 2" DN50 FB F316 F51 RPTFE NBR RF

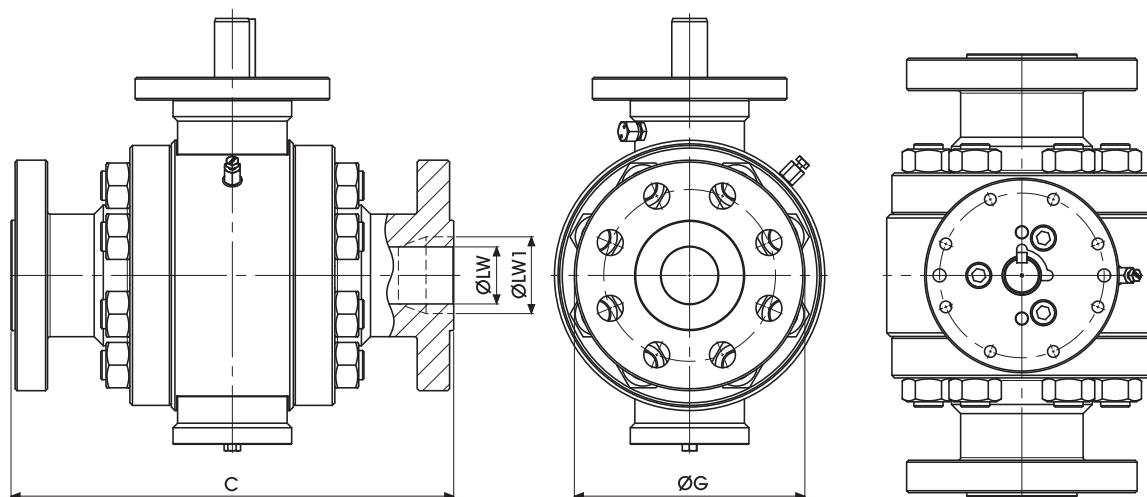
Type and way of valve	Valves dimension of pressure (lbs)	Inch	Nominal dimension	Bore	Body material	Stem material	Ball seat material	Adapter and stem seal material	Flanged
SBT	ANSI2500	from 1/2 up to 24	from DN 13 up to DN 589	FB	F316	A105	RPTFE	NBR	RF
Split body	ANSI1500			full bore	F51	F316	PEEK	FKM	RTJ
trunnion	ANSI900			RB	F304	F51	NYLON	EPDM	BW
bolted body	ANSI600			reduce bore		F304	DEVLON	MVQ	FF
	ANSI300								
	ANSI150						MET-TO-MET		

SBT



+ SBT150 2-WAY HIGH PRESSURE BALL VALVES

Specialist in Ball Valves



SBT 150 FB

Standard

TYPE	INCH	LW	LW1	C RF	C BW	C RTJ	G
SBT A150	2	49	-	178	216	191	152,5
SBT A150	2 1/2	62	-	191	241	203	178
SBT A150	3	74	-	203	283	216	190,5
SBT A150	4	100	-	229	305	241	229

SBT 150 RB

Standard

TYPE	INCH	LW	LW1	C RF	C BW	C RTJ	G
SBT A150	2x1 1/2	38	49	178	216	191	152,5
SBT A150	3x2 1/2	62	74	203	283	216	190,5
SBT A150	3x2	49	100	229	305	241	229
SBT A150	6x4	100	150	394	457	406	279,5

SPLIT BODY ANSI150 PN20 FULL AND REDUCED BORE

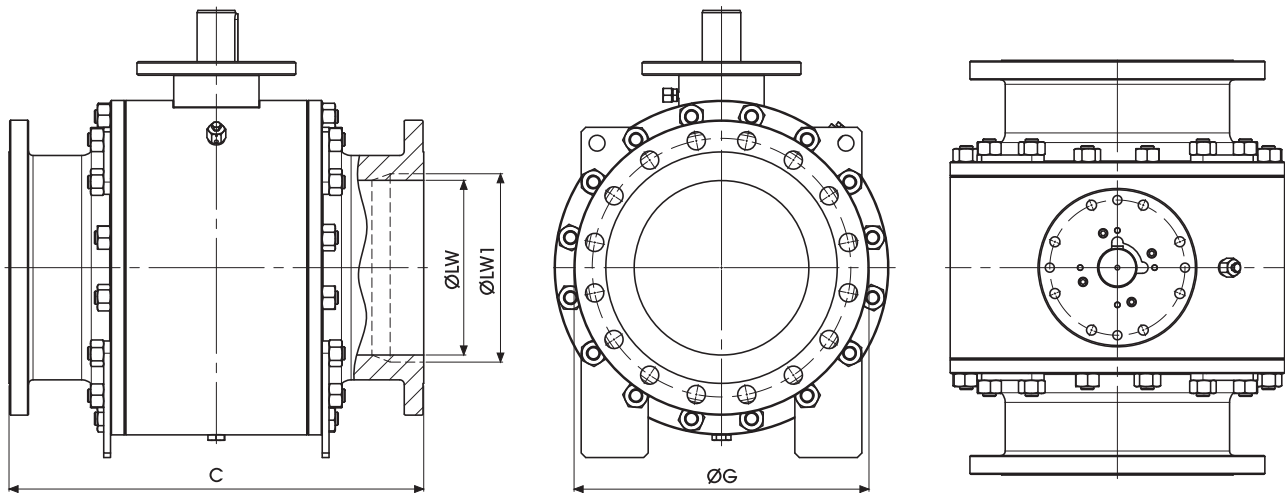
COMPONENTS	MATERIAL	MIN/MAX TEMP. (°C)
BODY AND FLANGE	ASTM A105	-20°+60°
	ASTM A182 F316	-60°+230°
	ASTM A350 LF2	-40°+100°
STEM	ASTM A479 Tp316	-60°+230°
BALL	ASTM A182 F316	-60°+230°
STEM SEALS	PTFE	-196°+230°
	GRAPHITE	-
BALL SEATS	RPTFE	-196°+230°
	PEEK	-50°+250°
	NYLON	-40°+90°
	DEVLON	-40°+150°
	METAL-TO-METAL	-60°+230°
O-RING	NBR	-30°+100°
	FKM	-40°+200°
	EPDM	-50°+150°
	MVQ	-50°+150°
STUD/NUT	ASTM A193 B7/Gr. 2H	
	ASTM A193 B8/Gr. 8	
	ASTM A320 L7/Gr. 7	

PROVISIONS

API-6D ANSI B16.34 Specification for pipeline valves
API 598 Valve inspection and test
ANSI B.16.34 Steel valves Flanged and butt welding ends
ANSI B16.5 Steel pipe flanges and flanged fittings
ANSI B16.10 Face to face and end to end dimensions of ferrous valves
ASTM American society for testing materials
BS 6755 Testing of valves
NACE MR-01-75 Sulfide stress cracking resistant metallic materials for oil field equipment
UNI EN ISO 9001 quality system
DIN/ISO 5211 for mounting

+ SBT150 2-WAY HIGH PRESSURE BALL VALVES

www.gemels.it



SBT 150 FB

Standard

TYPE	INCH	LW	LW1	C RF	C BW	C RTJ	G
SBT A150	6	150	-	394	457	406	279,5
SBT A150	8	201	-	457	521	470	343
SBT A150	10	252	-	533	559	546	406,5
SBT A150	12	303	-	610	635	622	483
SBT A150	14	334	-	689	762	699	533,5
SBT A150	16	385	-	762	838	775	597
SBT A150	18	436	-	864	914	876	635
SBT A150	20	487	-	914	991	927	698,5
SBT A150	22	538	-	-	-	-	750*
SBT A150	24	589	-	1067	1143	1080	813

SBT 150 RB

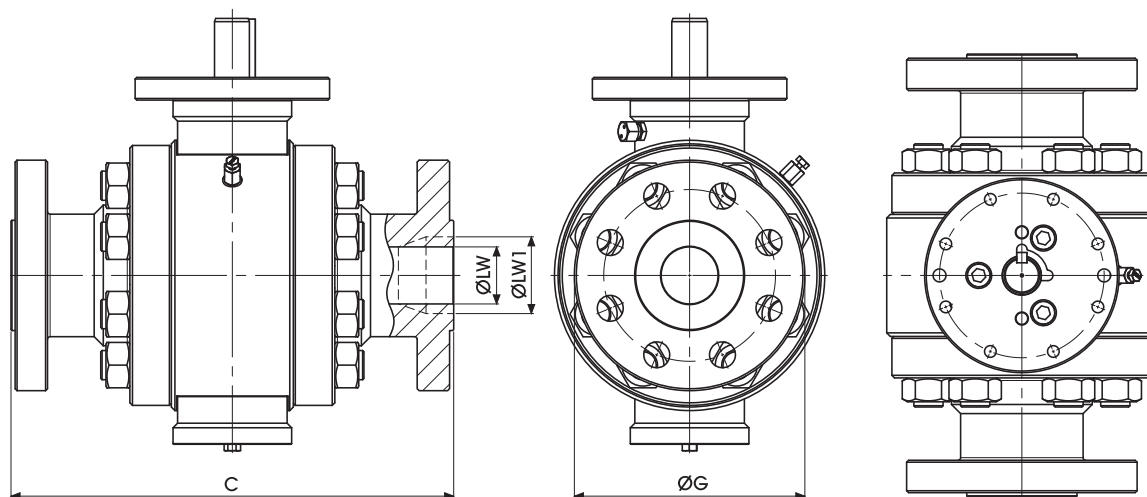
Standard

TYPE	INCH	LW	LW1	C RF	C BW	C RTJ	G
SBT A150	8x6	150	201	457	521	470	343
SBT A150	10x8	201	252	533	559	546	406,5
SBT A150	12x8	201	303	610	635	622	483
SBT A150	14x10	252	334	689	762	699	533,5
SBT A150	16x12	303	385	762	838	775	597
SBT A150	18x14	334	436	864	914	876	635
SBT A150	20x16	385	487	914	991	927	698,5
SBT A150	24x20	487	589	1067	1143	1080	813
SBT A150	28x24	589	684	1245	1346	-	925*
SBT A150	30x24	589	735	1295	1397	-	985*

* according to MSS SP44

+ SBT300 2-WAY HIGH PRESSURE BALL VALVES

Specialist in Ball Valves



SBT 300 FB

Standard

TYPE	INCH	LW	LW1	C RF	C BW	C RTJ	G
SBT A300	2	49	-	216	216	232	165,5
SBT A300	2 1/2	62	-	241	241	257	190,5
SBT A300	3	74	-	283	283	298	210
SBT A300	4	100	-	305	305	321	254

SBT 300 RB

Standard

TYPE	INCH	LW	LW1	C RF	C BW	C RTJ	G
SBT A300	2x1 1/2	38	49	216	216	232	165,5
SBT A300	3x2 1/2	62	74	283	283	298	210
SBT A300	3x2	49	100	305	305	321	254
SBT A300	6x4	100	150	403	403	419	317,5

SPLIT BODY ANSI300 PN50 FULL AND REDUCED BORE

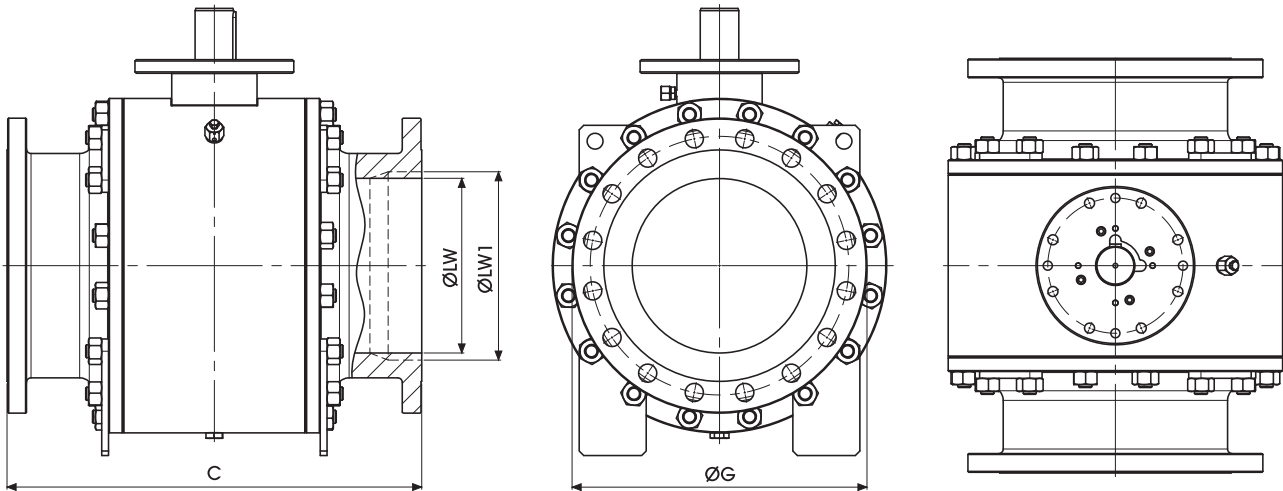
COMPONENTS	MATERIAL	MIN/MAX TEMP. (°C)
BODY AND FLANGE	ASTM A105	-20°+60°
	ASTM A182 F316	-60°+230°
	ASTM A350 LF2	-40°+100°
STEM	ASTM A479 Tp316	-60°+230°
BALL	ASTM A182 F316	-60°+230°
STEM SEALS	PTFE	-196°+230°
	GRAPHITE	-
BALL SEATS	RPTFE	-196°+230°
	PEEK	-50°+250°
	NYLON	-40°+90°
	DEVLON	-40°+150°
	METAL-TO-METAL	-60°+230°
O-RING	NBR	-30°+100°
	FKM	-40°+200°
	EPDM	-50°+150°
	MVQ	-50°+150°
STUD/NUT	ASTM A193 B7/Gr. 2H	
	ASTM A193 B8/Gr. 8	
	ASTM A320 L7/Gr. 7	

PROVISIONS

API-6D ANSI B16.34 Specification for pipeline valves
 API 598 Valve inspection and test
 ANSI B.16.34 Steel valves Flanged and butt welding ends
 ANSI B16.5 Steel pipe flanges and flanged fittings
 ANSI B16.10 Face to face and end to end dimensions of ferrous valves
 ASTM American society for testing materials
 BS 6755 Testing of valves
 NACE MR-01-75 Sulfide stress cracking resistant metallic materials for oil field equipment
 UNI EN ISO 9001 quality system
 DIN/ISO 5211 for mounting

+ SBT300 2-WAY HIGH PRESSURE BALL VALVES

www.gemels.it



SBT 300 FB

Standard

TYPE	INCH	LW	LW1	C RF	C BW	C RTJ	G
SBT A300	6	150	-	403	403	419	317,5
SBT A300	8	201	-	502	521	518	381
SBT A300	10	252	-	568	559	584	444,5
SBT A300	12	303	-	648	635	664	521
SBT A300	14	334	-	762	762	778	584,5
SBT A300	16	385	-	838	838	854	648
SBT A300	18	436	-	914	914	930	711,5
SBT A300	20	487	-	991	991	1010	775
SBT A300	22	538	-	1092	1092	1114	840*
SBT A300	24	589	-	1143	1143	1165	914,5

SBT 300 RB

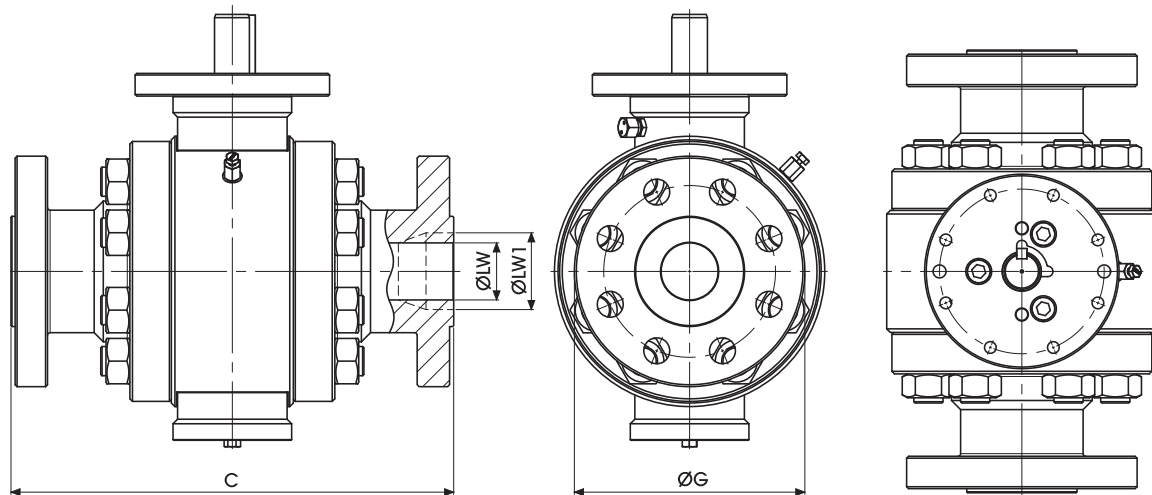
Standard

TYPE	INCH	LW	LW1	C RF	C BW	C RTJ	G
SBT A300	8x6	150	201	502	521	518	381
SBT A300	10x8	201	252	568	559	584	444,5
SBT A300	12x8	201	303	648	635	664	521
SBT A300	14x10	252	334	762	762	778	584,5
SBT A300	16x12	303	385	838	838	854	648
SBT A300	18x14	334	436	914	914	930	711,5
SBT A300	20x16	385	487	991	991	1010	775
SBT A300	24x20	487	589	1143	1143	1165	914,5
SBT A300	28x24	589	684	1346	1346	1372	1035*
SBT A300	30x24	589	735	1397	1397	1422	1090*

* according to MSS SP44

+ SBT600 2-WAY HIGH PRESSURE BALL VALVES

Specialist in Ball Valves



SBT 600 FB

Standard

TYPE	INCH	LW	LW1	C RF	C BW	C RTJ	G
SBT A600	2	49	-	292	292	295	165,5
SBT A600	2 1/2	62	-	330	330	333	190,5
SBT A600	3	74	-	356	356	359	210
SBT A600	4	100	-	432	432	435	273,5

SBT 600 RB

Standard

TYPE	INCH	LW	LW1	C RF	C BW	C RTJ	G
SBT A600	2x1 1/2	38	49	292	292	295	165,5
SBT A600	3x2 1/2	62	74	356	356	359	210
SBT A600	3x2	49	100	432	432	435	273,5
SBT A600	6x4	100	150	559	559	562	356

SPLIT BODY ANSI600 PN100 FULL AND REDUCED BORE

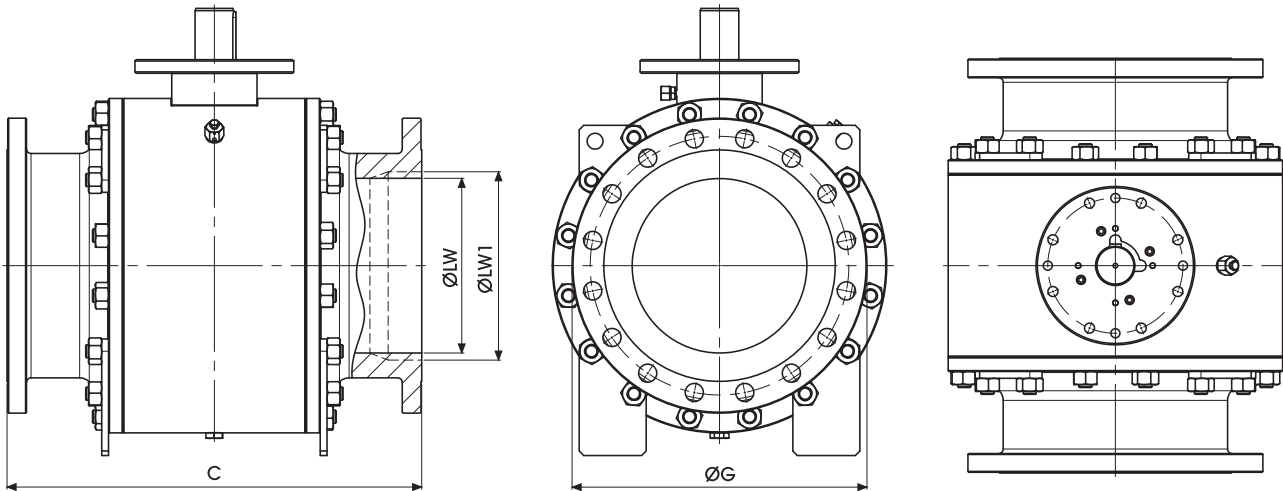
COMPONENTS	MATERIAL	MIN/MAX TEMP. (°C)
BODY AND FLANGE	ASTM A105	-20°+60°
	ASTM A182 F316	-60°+230°
	ASTM A350 LF2	-40°+100°
STEM	ASTM A479 Tp316	-60°+230°
BALL	ASTM A182 F316	-60°+230°
STEM SEALS	PTFE	-196°+230°
	GRAPHITE	-
BALL SEATS	RPTFE	-196°+230°
	PEEK	-50°+250°
	NYLON	-40°+90°
	DEVLON	-40°+150°
	METAL-TO-METAL	-60°+230°
O-RING	NBR	-30°+100°
	FKM	-40°+200°
	EPDM	-50°+150°
	MVQ	-50°+150°
STUD/NUT	ASTM A193 B7/Gr. 2H	
	ASTM A193 B8/Gr. 8	
	ASTM A320 L7/Gr. 7	

PROVISIONS

API-6D ANSI B16.34 Specification for pipeline valves
 API 598 Valve inspection and test
 ANSI B.16.34 Steel valves Flanged and butt welding ends
 ANSI B16.5 Steel pipe flanges and flanged fittings
 ANSI B16.10 Face to face and end to end dimensions of ferrous valves
 ASTM American society for testing materials
 BS 6755 Testing of valves
 NACE MR-01-75 Sulfide stress cracking resistant metallic materials for oil field equipment
 UNI EN ISO 9001 quality system
 DIN/ISO 5211 for mounting

+ SBT600 2-WAY HIGH PRESSURE BALL VALVES

www.gemels.it



SBT 600 FB

Standard

TYPE	INCH	LW	LW1	C RF	C BW	C RTJ	G
SBT A600	6	150	-	559	559	562	356
SBT A600	8	201	-	660	660	664	419,5
SBT A600	10	252	-	787	787	791	508
SBT A600	12	303	-	838	838	841	559
SBT A600	14	334	-	889	889	892	603,5
SBT A600	16	385	-	991	991	994	686
SBT A600	18	436	-	1092	1092	1095	743
SBT A600	20	487	-	1194	1194	1200	813
SBT A600	22	538	-	1295	1295	1305	870*
SBT A600	24	589	-	1397	1397	1407	940

SBT 600 RB

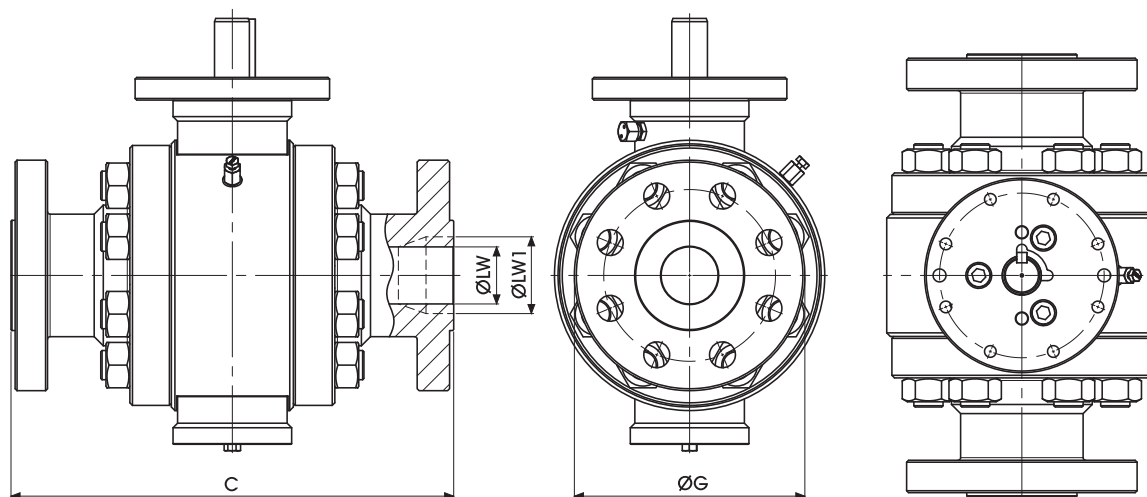
Standard

TYPE	INCH	LW	LW1	C RF	C BW	C RTJ	G
SBT A600	8x6	150	201	660	660	664	419,5
SBT A600	10x8	201	252	787	787	791	508
SBT A600	12x8	201	303	838	838	841	559
SBT A600	14x10	252	334	889	889	892	603,5
SBT A600	16x12	303	385	991	991	994	686
SBT A600	18x14	334	436	1092	1092	1095	743
SBT A600	20x16	385	487	1194	1194	1200	813
SBT A600	24x20	487	589	1397	1397	1407	940
SBT A600	28x24	589	684	1549	1549	1562	1075*
SBT A600	30x24	589	735	1651	1651	1664	1130*

* according to MSS SP44

+ SBT900 2-WAY HIGH PRESSURE BALL VALVES

Specialist in Ball Valves



SBT 900 FB

Standard

TYPE	INCH	LW	LW1	C RF	C BW	C RTJ	G
SBT A900	2	49	-	368	368	371	216
SBT A900	2 1/2	62	-	419	419	422	244,5
SBT A900	3	74	-	381	381	384	241,5
SBT A900	4	100	-	457	457	460	292,5

SBT 900 RB

Standard

TYPE	INCH	LW	LW1	C RF	C BW	C RTJ	G
SBT A900	2x1 1/2	38	49	368	368	371	216
SBT A900	3x2 1/2	62	74	381	381	384	241,5
SBT A900	3x2	49	100	457	457	460	292,5
SBT A900	6x4	100	150	610	610	613	381

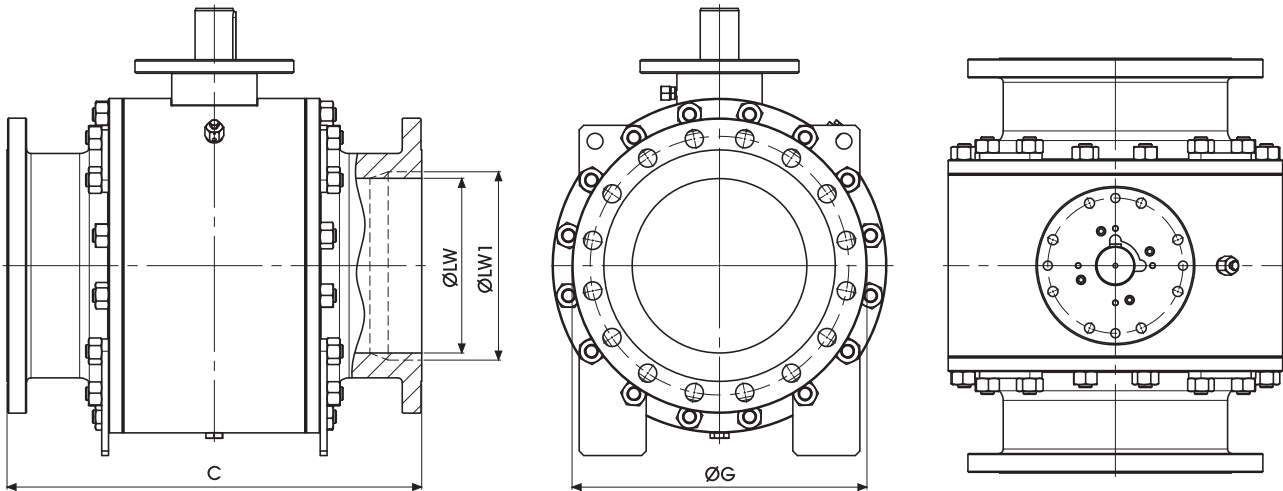
SPLIT BODY ANSI900 PN150 FULL AND REDUCED BORE

COMPONENTS	MATERIAL	MIN/MAX TEMP. (°C)
BODY AND FLANGE	ASTM A105	-20°+60°
	ASTM A182 F316	-60°+230°
	ASTM A350 LF2	-40°+100°
STEM	ASTM A479 Tp316	-60°+230°
BALL	ASTM A182 F316	-60°+230°
STEM SEALS	PTFE	-196°+230°
	GRAPHITE	-
BALL SEATS	RPTFE	-196°+230°
	PEEK	-50°+250°
	NYLON	-40°+90°
	DEVLON	-40°+150°
	METAL-TO-METAL	-60°+230°
O-RING	NBR	-30°+100°
	FKM	-40°+200°
	EPDM	-50°+150°
	MVQ	-50°+150°
STUD/NUT	ASTM A193 B7/Gr. 2H	
	ASTM A193 B8/Gr. 8	
	ASTM A320 L7/Gr. 7	

PROVISIONS
API-6D ANSI B16.34 Specification for pipeline valves
API 598 Valve inspection and test
ANSI B.16.34 Steel valves Flanged and butt welding ends
ANSI B16.5 Steel pipe flanges and flanged fittings
ANSI B16.10 Face to face and end to end dimensions of ferrous valves
ASTM American society for testing materials
BS 6755 Testing of valves
NACE MR-01-75 Sulfide stress cracking resistant metallic materials for oil field equipment
UNI EN ISO 9001 quality system
DIN/ISO 5211 for mounting

+ SBT900 2-WAY HIGH PRESSURE BALL VALVES

www.gemels.it



SBT 900 FB

Standard

TYPE	INCH	LW	LW1	C RF	C BW	C RTJ	G
SBT A900	6	150	-	610	610	613	381
SBT A900	8	201	-	737	737	740	470
SBT A900	10	252	-	838	838	841	546,5
SBT A900	12	303	-	965	965	968	610
SBT A900	14	322	-	1029	1029	1038	641,5
SBT A900	16	373	-	1130	1130	1140	705
SBT A900	18	423	-	1219	1219	1232	787,5
SBT A900	20	471	-	1321	1321	1334	857,5
SBT A900	22	522	-	-	-	-	-
SBT A900	24	570	-	1549	1549	1568	1041,5

SBT 900 RB

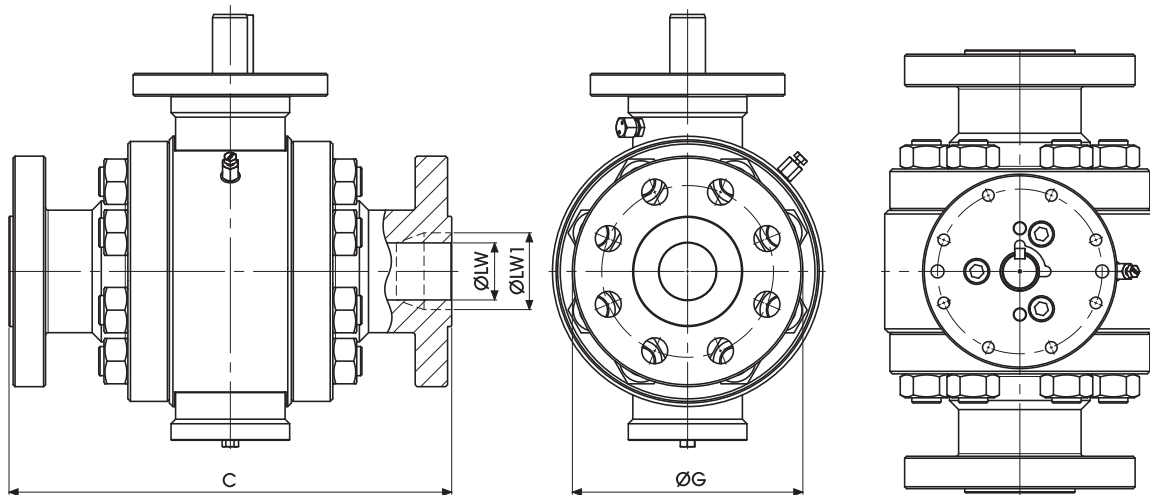
Standard

TYPE	INCH	LW	LW1	C RF	C BW	C RTJ	G
SBT A900	8x6	150	201	737	737	740	470
SBT A900	10x8	201	252	838	838	841	546,5
SBT A900	12x8	201	303	965	965	968	610
SBT A900	14x10	252	322	1029	1029	1038	641,5
SBT A900	16x12	303	373	1130	1130	1140	705
SBT A900	18x14	322	423	1219	1219	1232	787,5
SBT A900	20x16	373	471	1321	1321	1334	857,5
SBT A900	24x20	471	570	1549	1549	1568	1041,5
SBT A900	28x24	570	665	-	-	-	-
SBT A900	30x24	570	712	1880	-	1902	-

+ SBT1500

2-WAY HIGH PRESSURE BALL VALVES

Specialist in Ball Valves



SBT 1500 FB

Standard

TYPE	INCH	LW	LW1	C RF	C BW	C RTJ	G
SBT A1500	2	49	-	368	368	371	216
SBT A1500	2 1/2	62	-	419	419	422	244,5
SBT A1500	3	74	-	470	470	473	267
SBT A1500	4	100	-	546	546	549	311,5

SBT 1500 RB

Standard

TYPE	INCH	LW	LW1	C RF	C BW	C RTJ	G
SBT A1500	2x1 1/2	38	49	368	368	371	216
SBT A1500	3x2 1/2	62	74	470	470	473	267
SBT A1500	3x2	49	100	546	546	549	311,5
SBT A1500	6x4	100	144	705	705	711	394

SPLIT BODY ANSI1500 PN250 FULL AND REDUCED BORE

COMPONENTS	MATERIAL	MIN/MAX TEMP. (°C)
BODY AND FLANGE	ASTM A105	-20°+60°
	ASTM A182 F316	-60°+230°
	ASTM A350 LF2	-40°+100°
STEM	ASTM A479 Tp316	-60°+230°
BALL	ASTM A182 F316	-60°+230°
STEM SEALS	PTFE	-196°+230°
	GRAPHITE	-
BALL SEATS	RPTFE	-196°+230°
	PEEK	-50°+250°
	NYLON	-40°+90°
	DEVLON	-40°+150°
	METAL-TO-METAL	-60°+230°
O-RING	NBR	-30°+100°
	FKM	-40°+200°
	EPDM	-50°+150°
	MVQ	-50°+150°
STUD/NUT	ASTM A193 B7/Gr. 2H	
	ASTM A193 B8/Gr. 8	
	ASTM A320 L7/Gr. 7	

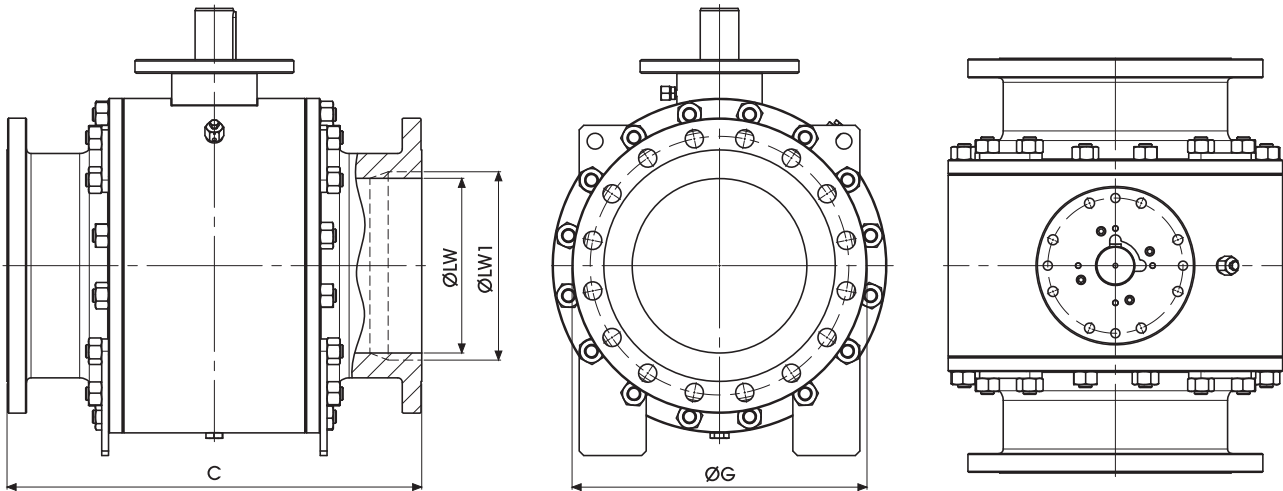
PROVISIONS

API-6D ANSI B16.34 Specification for pipeline valves
 API 598 Valve inspection and test
 ANSI B.16.34 Steel valves Flanged and butt welding ends
 ANSI B16.5 Steel pipe flanges and flanged fittings
 ANSI B16.10 Face to face and end to end dimensions of ferrous valves
 ASTM American society for testing materials
 BS 6755 Testing of valves
 NACE MR-01-75 Sulfide stress cracking resistant metallic materials for oil field equipment
 UNI EN ISO 9001 quality system
 DIN/ISO 5211 for mounting

+ SBT1500

2-WAY HIGH PRESSURE BALL VALVES

www.gemels.it



SBT 1500 FB

Standard

TYPE	INCH	LW	LW1	C RF	C BW	C RTJ	G
SBT A1500	6	144	-	705	705	711	394
SBT A1500	8	192	-	832	832	841	483
SBT A1500	10	239	-	991	991	1000	584,5
SBT A1500	12	287	-	1130	1130	1146	673,5
SBT A1500	14	315	-	1257	1257	1276	749,5
SBT A1500	16	360	-	1384	1384	1407	825,5
SBT A1500	18	406	-	1537	-	1559	914,5
SBT A1500	20	454	-	1664	-	1686	984,5
SBT A1500	22	500	-	-	-	-	-
SBT A1500	24	546	-	-	-	1972	1168,5

SBT 1500 RB

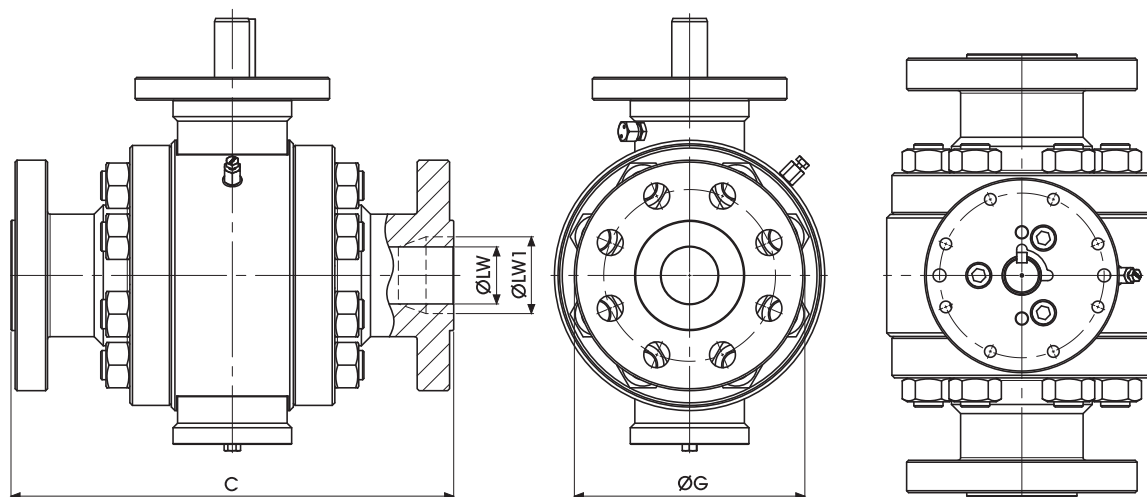
Standard

TYPE	INCH	LW	LW1	C RF	C BW	C RTJ	G
SBT A1500	8x6	144	192	832	832	841	483
SBT A1500	10x8	192	239	991	991	1000	584,5
SBT A1500	12x8	192	287	1130	1130	1146	673,5
SBT A1500	14x10	239	315	1257	1257	1276	749,5
SBT A1500	16x12	287	360	1384	1384	1407	825,5
SBT A1500	18x14	315	406	1537	-	1559	914,5
SBT A1500	20x16	360	454	1664	-	1686	984,5
SBT A1500	24x20	454	546	-	-	1972	1168,5
SBT A1500	28x24	546	641	-	-	-	-
SBT A1500	30x24	546	686	-	-	-	-

+ SBT2500

2-WAY HIGH PRESSURE BALL VALVES

Specialist in Ball Valves



SBT 2500 FB

Standard

TYPE	INCH	LW	LW1	C RF	C BW	C RTJ	G
SBT A2500	2	42	-	451	451	454	235
SBT A2500	2 1/2	52	-	508	508	540	267
SBT A2500	3	62	-	578	578	584	305
SBT A2500	4	87	-	673	673	683	356

SBT 2500 RB

Standard

TYPE	INCH	LW	LW1	C RF	C BW	C RTJ	G
SBT A2500	2x1 1/2	38	42	451	451	454	235
SBT A2500	3x2 1/2	52	62	578	578	584	305
SBT A2500	3x2	42	87	673	673	683	356
SBT A2500	6x4	87	131	914	914	927	483

SPLIT BODY ANSI2500 PN420 FULL AND REDUCED BORE

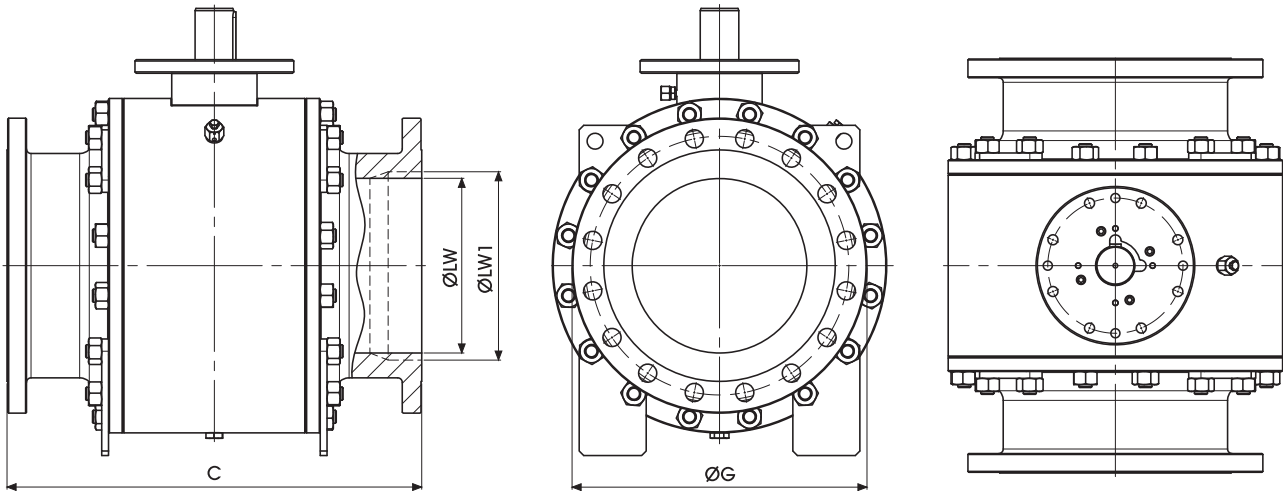
COMPONENTS	MATERIAL	MIN/MAX TEMP. (°C)
BODY AND FLANGE	ASTM A105	-20°+60°
	ASTM A182 F316	-60°+230°
	ASTM A350 LF2	-40°+100°
STEM	ASTM A479 Tp316	-60°+230°
BALL	ASTM A182 F316	-60°+230°
STEM SEALS	PTFE	-196°+230°
	GRAPHITE	-
BALL SEATS	RPTFE	-196°+230°
	PEEK	-50°+250°
	NYLON	-40°+90°
	DEVLON	-40°+150°
	METAL-TO-METAL	-60°+230°
O-RING	NBR	-30°+100°
	FKM	-40°+200°
	EPDM	-50°+150°
	MVQ	-50°+150°
STUD/NUT	ASTM A193 B7/Gr. 2H	
	ASTM A193 B8/Gr. 8	
	ASTM A320 L7/Gr. 7	

PROVISIONS
API-6D ANSI B16.34 Specification for pipeline valves
API 598 Valve inspection and test
ANSI B.16.34 Steel valves Flanged and butt welding ends
ANSI B16.5 Steel pipe flanges and flanged fittings
ANSI B16.10 Face to face and end to end dimensions of ferrous valves
ASTM American society for testing materials
BS 6755 Testing of valves
NACE MR-01-75 Sulfide stress cracking resistant metallic materials for oil field equipment
UNI EN ISO 9001 quality system
DIN/ISO 5211 for mounting

+ SBT2500

2-WAY HIGH PRESSURE BALL VALVES

www.gemels.it



SBT 2500 FB

Standard

TYPE	INCH	LW	LW1	C RF	C BW	C RTJ	G
SBT A2500	6	131	-	914	914	927	483
SBT A2500	8	179	-	1022	1022	1038	552,5
SBT A2500	10	223	-	1270	1270	1294	673,5
SBT A2500	12	265	-	1422	1422	1445	762
SBT A2500	14	292	-	-	-	-	-
SBT A2500	16	333	-	-	-	-	-
SBT A2500	18	374	-	-	-	-	-
SBT A2500	20	419	-	-	-	-	-

SBT 2500 FB

Standard

TYPE	INCH	LW	LW1	C RF	C BW	C RTJ	G
SBT A2500	8x6	131	179	1022	1022	1038	552,5
SBT A2500	10x8	179	223	1270	1270	1294	673,5
SBT A2500	12x8	179	265	1422	1422	1445	762
SBT A2500	14x10	223	292	-	-	-	-
SBT A2500	16x12	265	333	-	-	-	-
SBT A2500	18x14	292	374	-	-	-	-
SBT A2500	20x16	333	419	-	-	-	-
SBT A150	18x14	334	436	864	914	876	635
SBT A150	20x16	385	487	914	991	927	698,5
SBT A150	24x20	487	589	1067	1143	1080	813
SBT A150	28x24	589	684	1245	1346	-	925*
SBT A150	30x24	589	735	1295	1397	-	985*

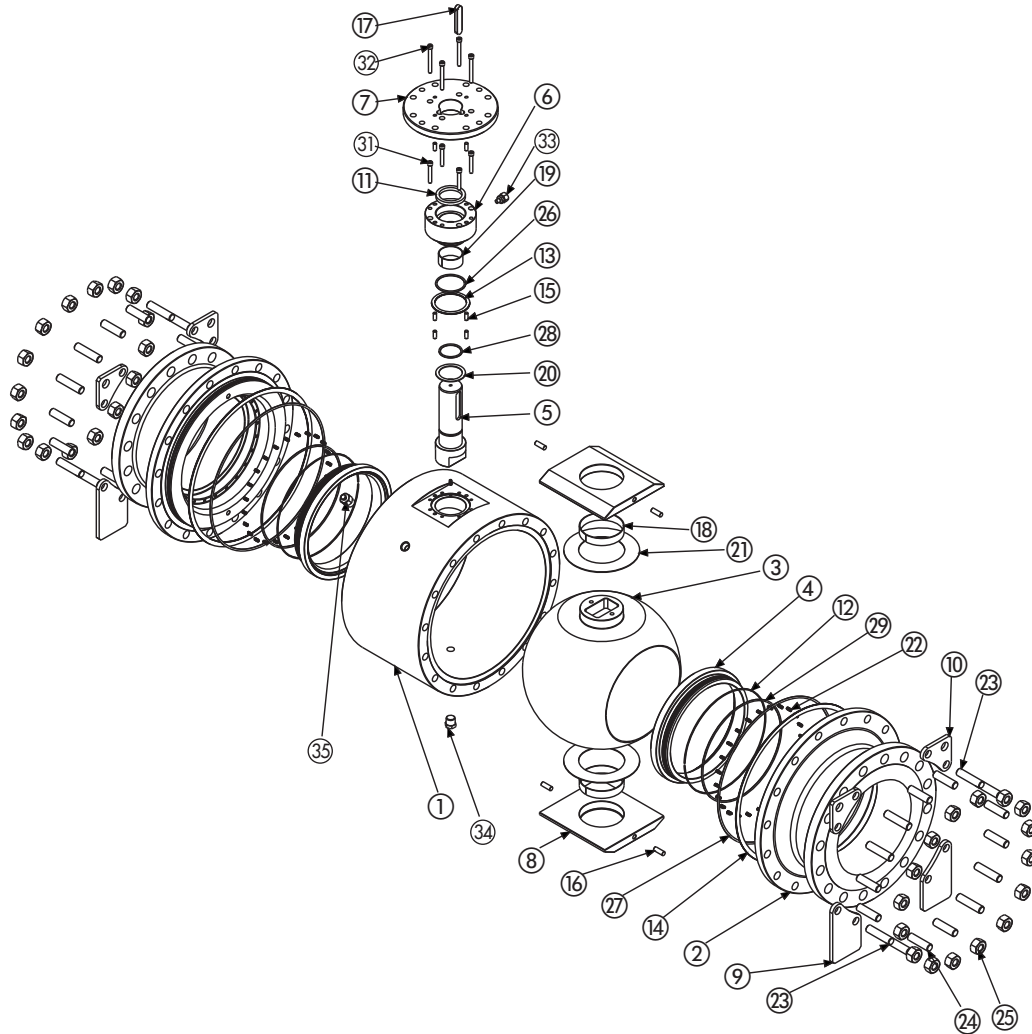
* according to MSS SP44



SBT

2-WAY HIGH PRESSURE BALL VALVES

Specialist in Ball Valves



Carbon steel

Pos	Description	Material	Pos	Description	Material
1	Body	ASTM A105N	19	Stem Bushing	AISI 316 + N.F.C.
2	Closure	ASTM A105N	20	Stem Thrust Washer	AISI 316 + N.F.C.
3	Ball	ASTM A182 F316	21	Ball Thrust Washer	AISI 316 + N.F.C.
4	Seat	ASTM A479 Tp.316/RPTFE	22	Spring Inconel	X750
5	Stem	ASTM A479 Tp.316	23	Stud ASTM	A193 B7
6	Bonnet	ASTM A105N	24	Support/Lifting Lug Stud	ASTM A193 B7
7	Cover Plate	ASTM A105N	25	Nut	ASTM A194 2H
8	Spacer	ASTM A516 Gr.60	26	Body/Bonnet o-ring	NBR
9	Valve Support	Fe 360	27	Body/Flange o-ring	NBR
10	Lifting Lug	Fe 360	28	Stem o-ring	NBR
11	Stem Gasket	GRAPHITE	29	Seat o-ring	NBR
12	Seat Gasket	GRAPHITE	30	Antistatic Device	ASTM A479 Tp.316
13	Body/Bonnet Gasket S.W.T.	GRAPHITE+316L	31	Bonnet T.C.E.I.	ASTM A193 B7
14	Body/Flange Gasket S.W.T.	GRAPHITE+316L	32	Cover Plate T.C.E.I.	ASTM A193 B7
15	Body/Bonnet/Cover Pin	100Cr6	33	Stem Injector	ASTM A479 Tp.316
16	Spacer Pin	100Cr6	34	Drain Plug	ASTM A479 Tp.316
17	Stem Key	C45	35	Vent Bleeder	ASTM A479 Tp.316
18	Ball Bushing	AISI 316 + N.F.C.			

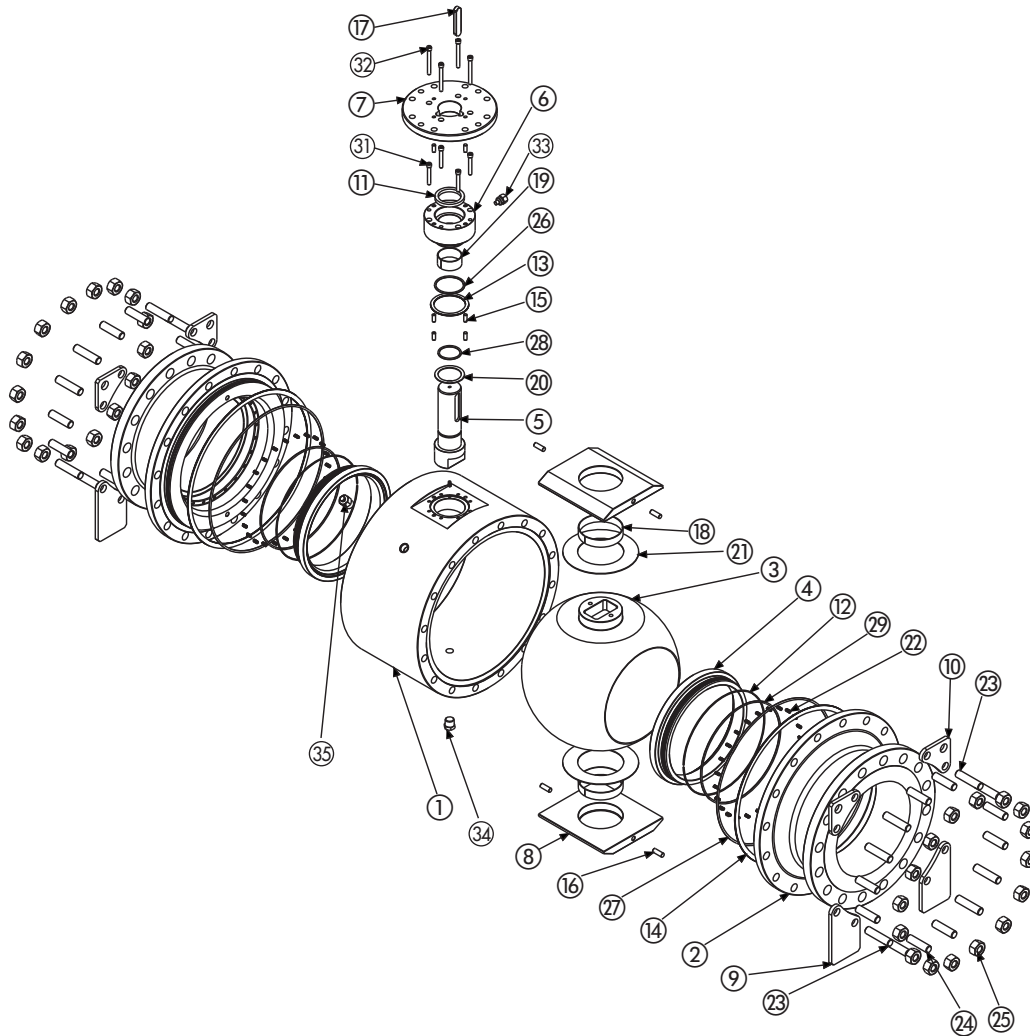
On request

- Reduced bore
- O-Ring in FKM, EPDM, HNBR, KALREZ
- Seals in PTFE, PEEK, PA612, GEMPTFE, METAL TO METAL
- Pressure class ANSI 150-300-600 900-1500-2500
- Lever
- Gear
- Pneumatic and electrical actuator
- Locking device

For further special requests please consult our technical/commercial service

+ SBT 2-WAY HIGH PRESSURE BALL VALVES

www.gemels.it



Stainless steel

Pos	Description	Material	Pos	Description	Material
1	Body	ASTM A182 F316	19	Stem Bushing	AISI 316 + N.F.C.
2	Closure	ASTM A182 F316	20	Stem Thrust Washer	AISI 316 + N.F.C.
3	Ball	ASTM A182 F316	21	Ball Thrust Washer	AISI 316 + N.F.C.
4	Seat	ASTM A182 F316 /RPTFE	22	Spring Inconel	X750
5	Stem	ASTM A479 Tp.316	23	Stud	ASTM A193 B8 Cl.8
6	Bonnet	ASTM A479 Tp.316	24	Support/Lifting Lug Stud	ASTM A193 B8 Cl.8
7	Cover Plate	ASTM A479 Tp.316	25	Nut	ASTM A194 Gr.8
8	Spacer	ASTM A240 Tp.316	26	Body/Bonnet o-ring	NBR
9	Valve Support	Fe 360	27	Body/Flange o-ring	NBR
10	Lifting Lug	Fe 360	28	Stem o-ring	NBR
11	Stem Gasket	GRAPHITE	29	Seat o-ring	NBR
12	Seat Gasket	GRAPHITE	30	Antistatic Device	ASTM A479 Tp.316
13	Body/Bonnet Gasket S.W.T.	GRAPHITE+316L	31	Bonnet T.C.E.I.	ASTM A193 B8 Cl.8
14	Body/Flange Gasket S.W.T.	GRAPHITE+316L	32	Cover Plate T.C.E.I.	ASTM A193 B8 Cl.8
15	Body/Bonnet/Cover Pin	100Cr6	33	Stem Injector	ASTM A479 Tp.316
16	Spacer Pin	100Cr6	34	Drain Plug	ASTM A479 Tp.316
17	Stem Key	C70	35	Vent Bleeder	ASTM A479 Tp.316
18	Ball Bushing	AISI 316 + N.F.C.			

On request

- Reduced bore
- O-Ring in FKM, EPDM, HNBR, KALREZ
- Seals in PTFE, PEEK, PA612, GEMPTFE, METAL TO METAL
- Pressure class ANSI 150-300-600 900-1500-2500
- Lever
- Gear
- Pneumatic and electrical actuator
- Locking device

For further special requests please consult our technical/commercial service

